

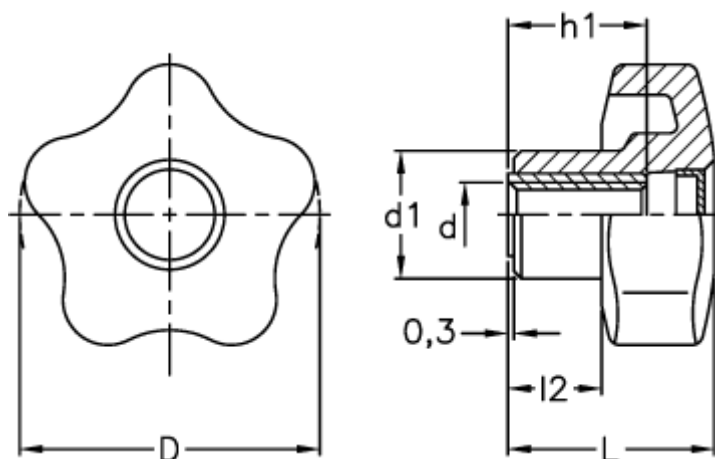
# Data Sheet



Article number: 23020698459

Description: E+G Lobe knob  
VCT.32 B-M8-C9, black cap

## Measures



|      |        |
|------|--------|
| D    | = 32   |
| d1   | = 15   |
| d 6H | = M8   |
| h1   | = 12   |
| L    | = 23.0 |
| l2   | = 10   |